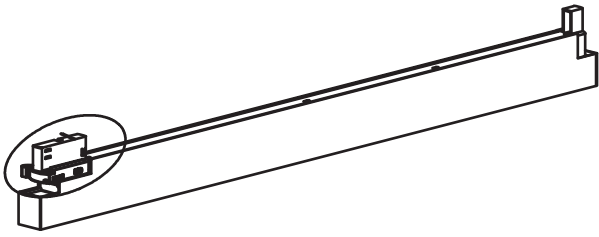
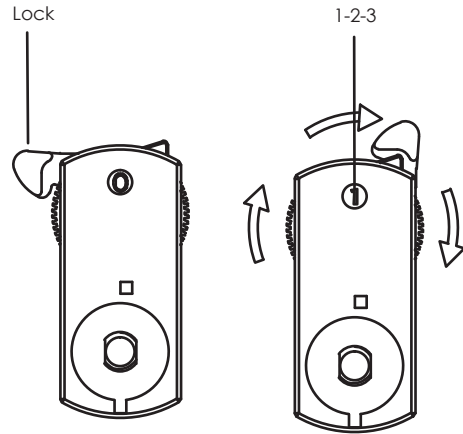


# Installation Guide

Step 1



Step 2



Step 3

